

# Suburban

An AIRXCEL Brand

Outdoor Kitchen with  
Optional Griddle  
Product Overview



## Make the Most of the Outdoors...

Why can't the cook be outside with the rest of the gang? The Suburban Outdoor Kitchen brings the best of the inside to the great outdoors, either in the woods or at the tail gate!

Nested securely within an internal stowage area, the sturdy, all steel kitchen quickly slides out and locks safely into place to provide a single or dual burner griddle and wash up sink, or ample prep space in non-sink models.

Sink equipped models carry a quick connect fitting for the water supply, and have a drain kit to connect to a wastewater container via an included 1" hose adapter.

Three slide out orientations provide the design flexibility for a range of integration options.



## ...While Cooking In It

- Double slide out glides provide a large work space in a compact stow cabinet
- Safely locks in place, extended or retracted
- Tough, baked-on enamel finish throughout
- 'Fold and stow' extendable legs allow for a range of installation heights
- Sturdy 250 pound glides
- Designed for use with Suburban 18" or 23" griddles
- Sink versions feature stainless sink basin with glass lid and fold down spigot for maximum work surface
- All stainless steel, single temperature spigot
- Quick connect water and wastewater at sink
- One-year limited warranty



Pictured above: Landscape Orientation Right

Airxcel Inc. Recreational Vehicle Products Brand Portfolio:



Suburban



Aqua-Hot



# Suburban

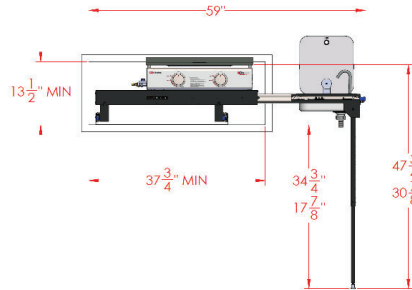
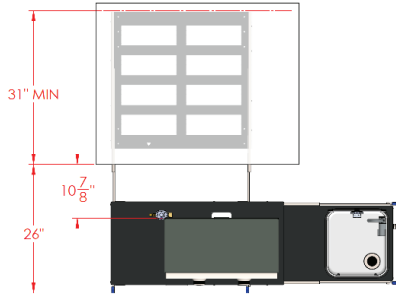
An AIRXCEL Brand

## Outdoor Kitchen with Optional Griddle Specifications

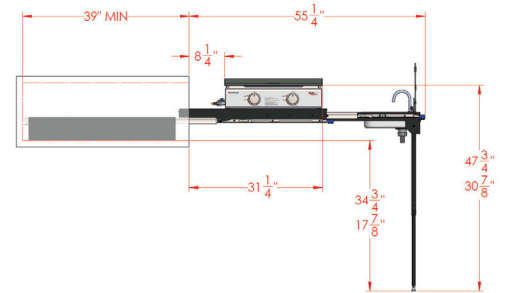


### Landscape Right Orientation Kitchens (landscape left have same dimensions)

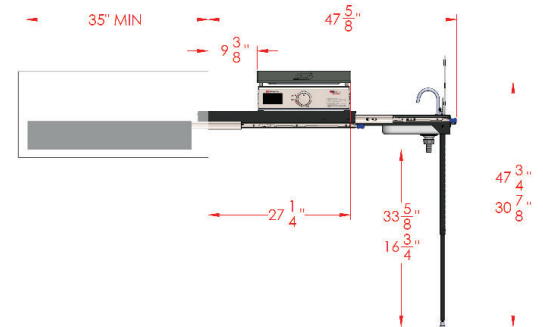
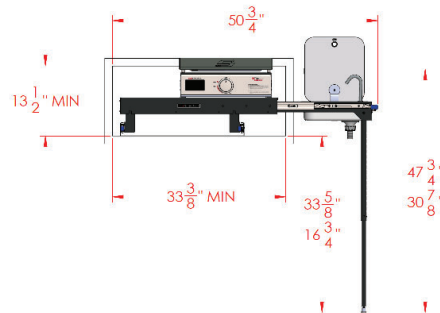
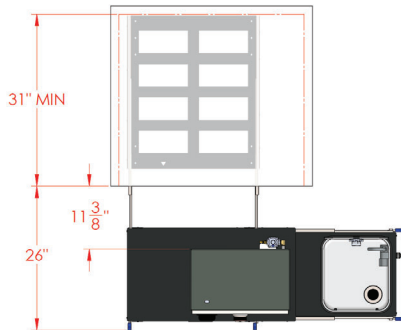
#### Large Outdoor Kitchen Models



### Portrait Orientation Kitchens



#### Small Outdoor Kitchen Models



KITCHEN DESCRIPTION, ORIENTATION, SLIDES OUT	PART No. WITH SINK	PART No. NO SINK
LARGE KITCHEN FOR 23" GRIDDLE, LANDSCAPE, RIGHT	4010EB	4016EB
LARGE KITCHEN FOR 23" GRIDDLE, LANDSCAPE, LEFT	4011EB	4017EB
LARGE KITCHEN FOR 23" GRIDDLE, PORTRAIT	4012EB	4018EB
SMALL KITCHEN FOR 18" GRIDDLE, LANDSCAPE, RIGHT	4013EB	4019EB
SMALL KITCHEN FOR 18" GRIDDLE, LANDSCAPE, LEFT	4014EB	4020EB
SMALL KITCHEN FOR 18" GRIDDLE, PORTRAIT	4015EB	4021EB

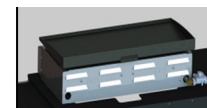
LANDSCAPE SLIDE-IN SIZE MIN REQUIREMENTS	
LARGE KITCHEN	31" D x 37 3/4" W x 13 1/2" H
SMALL KITCHEN	31" D x 33 3/8" W x 13 1/2" H

PORTRAIT SLIDE-IN SIZE MIN REQUIREMENTS	
LARGE KITCHEN	39" D x 20 1/4" W x 13 1/2" H
SMALL KITCHEN	35" D x 20 1/4" W x 13 1/2" H

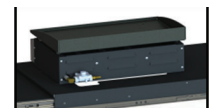
GRIDDLES	PART No.
18" GRIDDLE	3061A
23" GRIDDLE, GAS CONNECTION ON LEFT (WHEN LOOKING AT FRONT OF GRIDDLE)	3079A
23" GRIDDLE, GAS CONNECTION ON RIGHT (WHEN LOOKING AT FRONT OF GRIDDLE)	3081A



3081A



3079A



3061A

23" griddles have gas nozzles facing outward due to grease cup.  
18" griddle nozzle faces inward, always on the right side.  
All griddles have a quick connect nozzle.

